

# Application Work Sheet (Pressure)

Quotation

Purchase Order

For better support to the customer, please fill this form out when you request a quotation or place an order. It will help us to provide you the correct solution and minimize a risk which is our goal for the customer.

## General Information

Client \_\_\_\_\_ Date \_\_\_\_\_  
Name \_\_\_\_\_ End-User \_\_\_\_\_  
TEL. No. \_\_\_\_\_ Project \_\_\_\_\_  
FAX. No. \_\_\_\_\_ Required delivery \_\_\_\_\_  
Model \_\_\_\_\_  
Quantity \_\_\_\_\_

## Performance Specifications

Pressure Range \_\_\_\_\_  
Operating Range \_\_\_\_\_  
Measuring Unit  MPa  bar  kPa  mmHg  mmH2O  mbar  
Pressure reference  kgf/cm2  Torr  psi  °C  °F  
Output Signal  mV/V  4 ~ 20 mA  1 ~ 5 V  0 ~ 10 V  
Power Supply  24 V DC  12 V DC

## Physical Specifications

Process Connection  PT 1/4"  PT 3/8"  PT 1/2"  G1/4"  G1/2"  
 PF 1/4"  PF 3/8"  PF 1/2"  NPT1/4"  NPT1/2"  
 Flush 1/2"  Flush 3/4"  Flush 1"  
 40A Flange  50A Flange  80A Flange  100A Flange  
 Sanitary Diaphragm \_\_\_\_\_  Other \_\_\_\_\_  
Electrical Connection  Terminal  DIN 43650  M12 Connector  Cable(1,5 m)  
Local Display Unit  None  LCD  LED

## Process Conditions

Process Media \_\_\_\_\_  
Operating Temperature \_\_\_\_\_  
Humidity \_\_\_\_\_  
Vibration \_\_\_\_\_  
Explosion Protection  Required  No required  
Weather Protection  Required  No required

# Pressure Range Code

CODE	kgf/cm <sup>2</sup>	bar	psi	MPa
0001	0~1	0~1	0~15	0~0.1
0003	0~3	0~3	0~45	0~0.3
0005	0~5	0~5	0~70	0~0.5
0006	0~6	0~6	0~90	0~0.6
0010	0~10	0~10	0~150	0~1
0015	0~15	0~15	0~200	0~1.5
0020	0~20	0~20	0~300	0~2
0025	0~25	0~25	0~350	0~2.5
0030	0~30	0~30	0~450	0~3
0035	0~35	0~35	0~500	0~3.5
0050	0~50	0~50	0~700	0~5
0070	0~70	0~70	0~1000	0~7
0100	0~100	0~100	0~1500	0~10
0200	0~200	0~200	0~3000	0~20
0250	0~250	0~250	0~3500	0~25
0300	0~300	0~300	0~4500	0~30
0350	0~350	0~350	0~5000	0~35
0500	0~500	0~500	0~7000	0~50
0700	0~700	0~700	0~10000	0~70
1000	0~1000	0~1000	0~15000	0~100
2000	0~2000	0~2000	0~28000	0~200
V0000	-76~0 cmHg	-1013~0 mbar	-30~0 inHg	-0.1~0
V0001	-76 cmHg~1	-1013 mbar~1	-30 inHg~15	-0.1~0.1
V0002	-76 cmHg~2	-1013 mbar~2	-30 inHg~30	-0.1~0.2
V0003	-76 cmHg~3	-1013 mbar~3	-30 inHg~45	-0.1~0.3
V0004	-76 cmHg~4	-1013 mbar~4	-30 inHg~60	-0.1~0.4
V0006	-76 cmHg~6	-1013 mbar~6	-30 inHg~90	-0.1~0.6
V0010	-76 cmHg~10	-1013 mbar~10	-30 inHg~150	-0.1~1
V0015	-76 cmHg~15	-1013 mbar~15	-30 inHg~200	-0.1~1.5
V0020	-76 cmHg~20	-1013 mbar~20	-30 inHg~300	-0.1~2
L0600	0~600 mmH2O	0~60 mbar	0~0.9	0~0.006
L1000	0~1000 mmH2O	0~100 mbar	0~1.5	0~0.01
L2000	0~2000 mmH2O	0~200 mbar	0~3	0~0.02
L3000	0~3000 mmH2O	0~300 mbar	0~4.5	0~0.03
L4000	0~4000 mmH2O	0~400 mbar	0~5.5	0~0.04
L5000	0~5000 mmH2O	0~500 mbar	0~7	0~0.05
00000	Other Range			

# P301 Series Battery Operated Digital Pressure Gauge



## Feature

- Easy to read Five digits display customized LCD
- Versatility of seven engineering units
- 3 V or 3.6 V AA Size Battery Operated.
- Compatible with most corrosive media
- Microprocessor Based
- Optional chemical or sanitary seal

## Applications

*The P301 series Digital Pressure Gauge is ideal for measurements which require a local pressure monitoring in industrial applications.*

- Hydraulic and pneumatic system
- Regulation system of transmission line LPG and LNG
- Machine tools and automatic machinery
- Flow control and water treatment
- Oil and off-shore industry
- Equipments for chemical petrochemical industry
- Automation system and plant engineering
- HVAC and barometer
- Engine monitoring and control
- Fire fighting equipments and braking system for railway

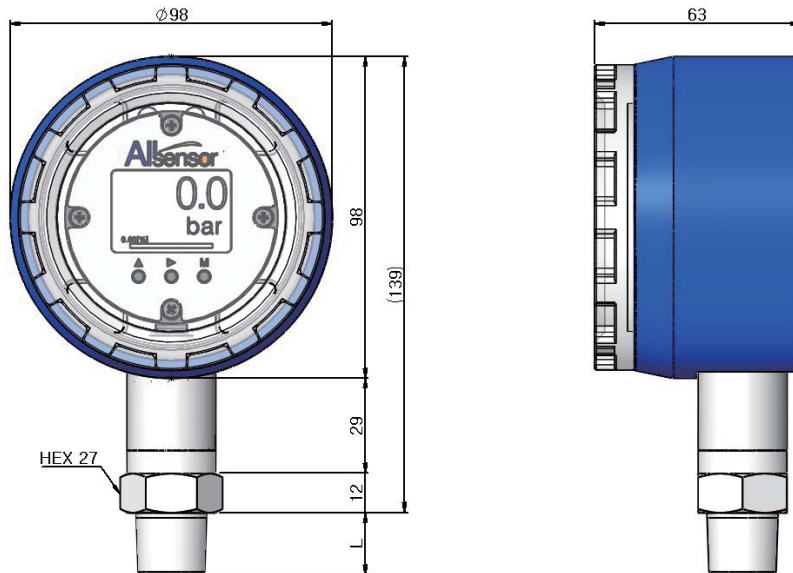
## Specifications

Technology	Advanced piezoresistive silicone pressure sensor
Pressure range	0 ~ 0.1 to 100 MPa
Pressure reference	Absolute, Vacuum, & Gauge Pressure
Accuracy	± 0.25 % of RD ±1 Digits
Over pressure	1.5 times of F.S. (Max. 100 MPa)
Setting options	Factory set
Display type	Customized LCD 5 Digits.
Unit converts	MPa, bar, kgf/cm <sup>2</sup> , kPa, mmH <sub>2</sub> O, mmHg and Torr,
Battery	3 V (2 × AA Size)
Battery Life	6 Months typical
Ambient temperature	-10 to 60 °C
Storage temperature	-40 to 80 °C

### Physical Specifications

Process connection	Rc(PT) 3/8" (M) standard Other connections available on request
Process media	Gases and liquids compatible with STS 316L
Materials	Wetted parts : STS 316L Housing & cover : Aluminum Die-casting
Enclosure rating	IP67
Explosion protection	None
Vibration	0,1 g(1/M/s/s) Maximum
Weight	Approx.(1,5 kg)

### Dimension(mm)



### Ordering Information

**P 3 0 1 G**

#### Model Name

P301 :  
Battery operated  
Digital Pressure Gauge

**0 0 1 0**

#### Pressure Range

Refer to pressure range code

**M P**

#### Pressure Unit

M : MPa  
B : bar  
P : psi  
K : kgf/cm<sup>2</sup>  
H : mmH<sub>2</sub>O  
G : mmHg  
T : torr

**A**

#### Process Connection

A : PT3/8" G : M20 x 1.5P  
B : PF3/8" L : NPT 1/4"  
C : PT1/4" M : NPT 3/8"  
D : PF1/4" N : NPT 1/2"  
E : PT1/2" V : VCR 1/4"  
F : PF1/2" W : VCR 1/2"  
O : Others

#### Pressure Type

A : Absolute / G : Gauge